

# Original BMW Accessories.

## Installation instructions.



### Retrofit BMW DVD system BMW 5-series Saloon (E 60) with sunroof

**Retrofit kit No.:** 82 82 0 303 973  
82 82 0 303 525

#### Installation time

The installation time is approx. 4.0 hours, but may vary depending on the condition of the car and the equipment in it.

#### Important information

These installation instructions are mainly intended for use in the BMW dealership network as well as by authorised BMW Service Centers.

In any event, the target group for these installation instructions is specialist personnel trained on BMW cars with the appropriate specialist knowledge.

All work must be completed using the latest BMW repair manuals, circuit diagrams, servicing manuals and work instructions, in a rational order, using the prescribed tools (special tools) and observing current health and safety regulations.

**To avoid unnecessary extra work and/or costs, if any installation or function problem occurs, after a brief troubleshooting session (approx. 0.5 hours), please contact the following:**

- 1. Either your national subsidiary or your regional office, or**
- 2. The Support team via the Aftersales Assistance Portal (ASAP), using the optional technical parts support application.**

**Specify the chassis number and the part number of the installed retrofit kit and give a precise description of the problem.**

Do not archive the hard copy of these installation instructions since daily updates are made by ASAP!  
Refer to ASAP for explanations of the pictograms.

All pictures show LHD cars; proceed accordingly on RHD cars.

**Pictograms:**

Denotes instructions that draw your attention to dangers.



Denotes instructions that draw your attention to special features.

◀ Denotes the end of the instruction or other text.

Subject to technical modifications.

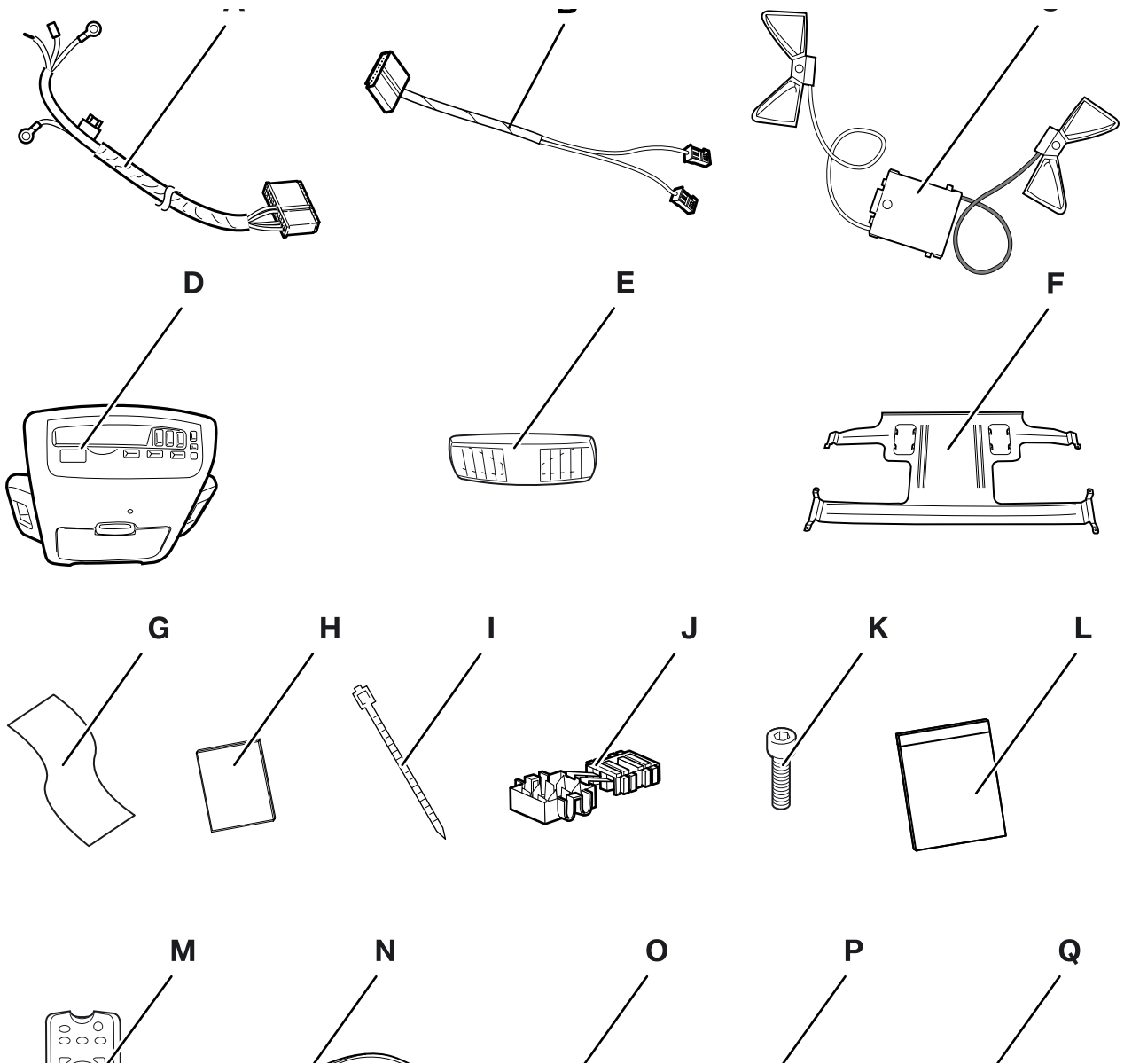
**Special tools required**

None

# Contents

Section	Page
1. Parts Overview .....	4
2. Preparatory work .....	5
3. Installation and cabling diagram .....	6
4. Connections diagram .....	7
5. Installing roof brace .....	8
6. Installing wiring harness .....	9
7. Installing DVD console .....	10
8. Concluding work and coding .....	12
9. Circuit diagram .....	13

# 1. Parts Overview



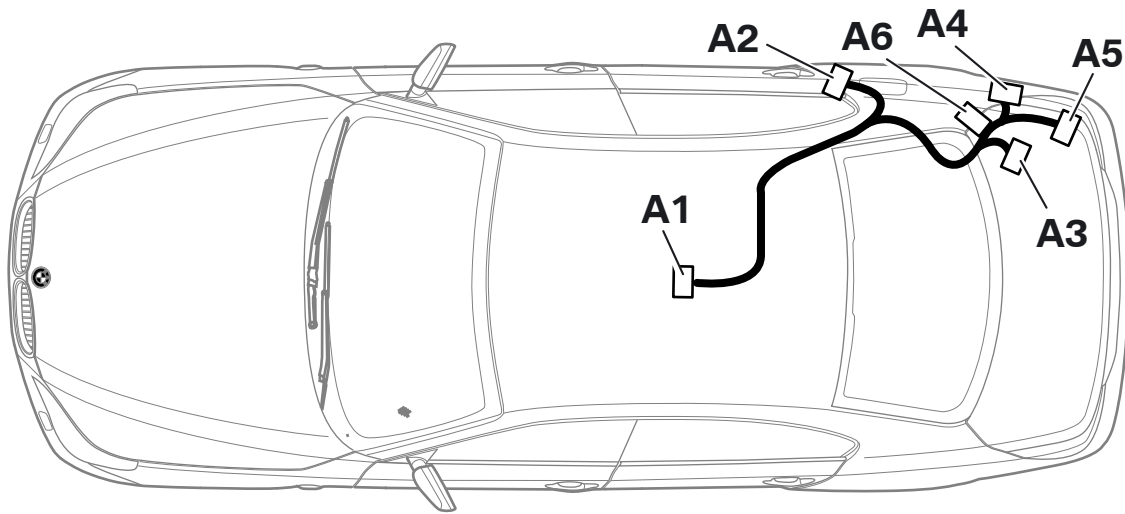
## Legend

- A** DVD wiring harness
- B** Adapter wiring harness for auxiliary lights  
(pre-installed on DVD console)
- C** Antitheft alarm system  
(for vehicles equipped with DWA only)
- D** DVD console
- E** Frame for antitheft alarm system (2x)  
(for vehicles equipped with DWA only)
- F** Roof brace
- G** Fleece band (300 mm) (2x)
- H** Damping strip (12x)
- I** Cable tie (10x)
- J** Double insulation displacement connector (2x)
- K** Socket head cap screw M5 x 25 mm (2x)
- L** Rattle guard
- M** Remote control for DVD console
- N** Infrared headset (2x)
- O** Fuse (2x)
- P** Operating instructions
- Q** Double-sided adhesive type  
(only for vehicles with DWA)

## 2. Preparatory work

	<b>TIS No.</b>
Print out fault code memories	—
Disconnect battery	12 00 ...
Remove ultrasonic module for antitheft alarm system (if fitted)	65 75 565
Remove mounting frame for ultrasonic module (if fitted)	—
Remove headlining	51 44 011
Remove rear bench seat	—
Remove luggage compartment floor	51 47 101
Remove trim panel in rear right of luggage compartment	51 47 ...

### 3. Installation and cabling diagram



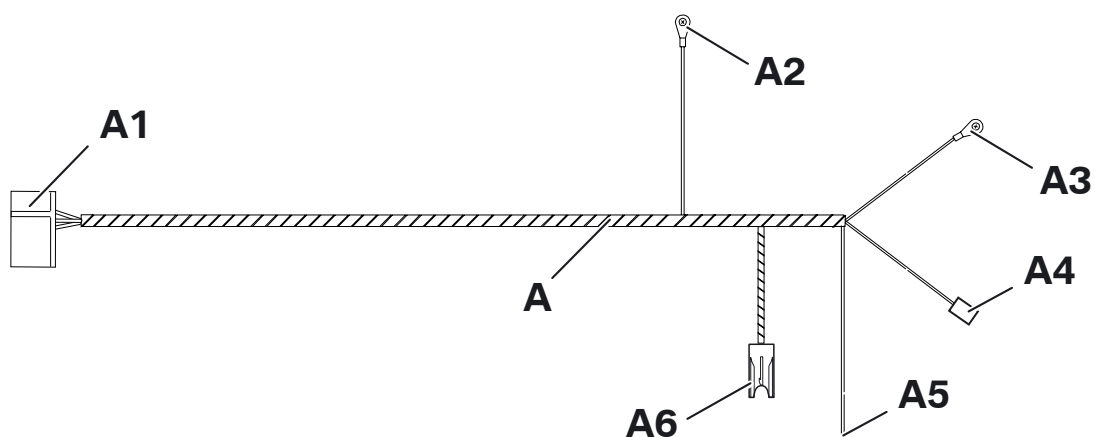
060 0008 B

Install all wiring harnesses as illustrated and secure with cable ties.  
Tie back excess length.

#### DVD wiring harness A

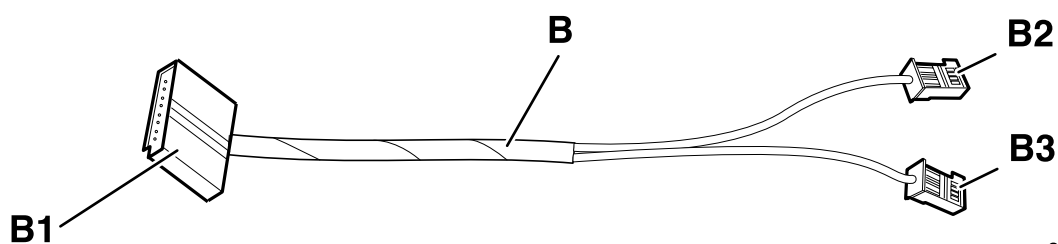
- A1** At DVD console
- A2** At ground terminal point **X13790**
- A3** At **B+** battery terminal
- A4** At **X11012/16**
- A5** At **X318/6**
- A6** Tie back

## 4. Connections diagram



060 0007 B

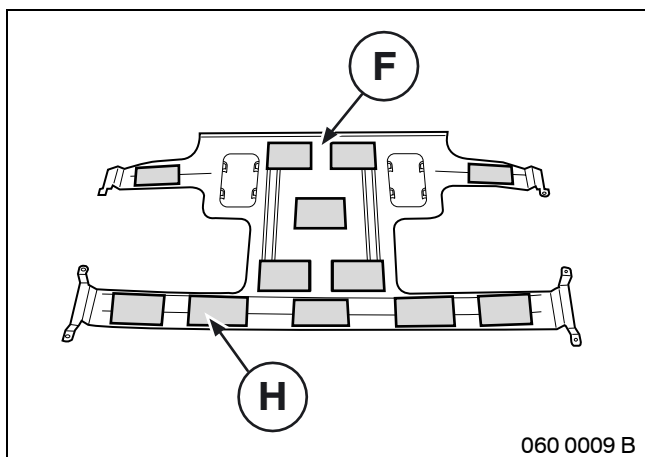
Item	Description	Signal	Cable colours/ cross section	Connection location in vehicle	Designation/ plug-in location
<b>A</b>	DVD wiring harness	---	---	---	
<b>A1</b>	20-pin GR socket housing	---	---	At DVD console	X1*
<b>A2</b>	Cable eye 6 mm	Kl. 31	BR	At ground terminal point, right C-pillar	X13790
<b>A3</b>	Cable eye 6 mm	Kl. 30	RT/GN	At B+ battery terminal	B+
<b>A4</b>	Socket contact	Kl. R	VI/WS	At 32-pin SW connector of fuse holder in luggage compartment	X11012/16
<b>A5</b>	Wire open	Kl. 58G	GR/RT	Connector for right tail light at SW/BR wire	X318/6
<b>A6</b>	Fuse holder	---	---	Tie back next to battery	X2*



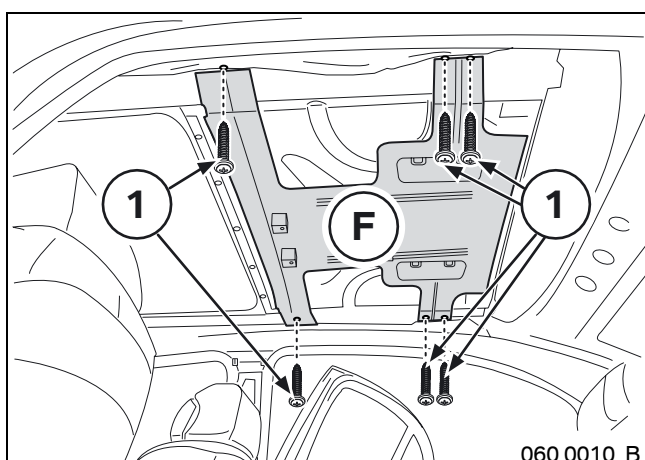
060 0029 B

Item	Description	Signal	Cable colours/ cross section	Connection location in vehicle	Designation/ plug-in location
<b>B</b>	Adapter cable for auxiliary lights	---	---	---	
<b>B1</b>	8-pin WS pin housing	---	---	At connector for rear interior light in headliner Attention: replace PIN 8 with PIN 5 in standard connector	X3*
<b>B2</b>	3-pin SW socket housing	---	---	At auxiliary light (in DVD console)	X4*
<b>B3</b>	3-pin SW socket housing	---	---	At auxiliary light (in DVD console)	X5*

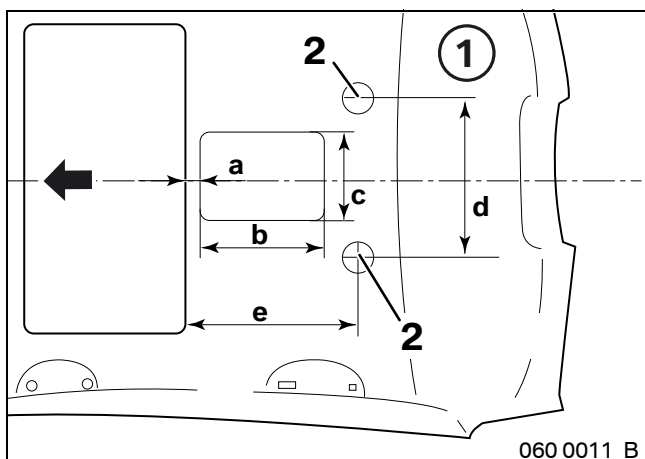
## 5. Installing roof brace



Adhere damping strips **H** to top of roof brace **F**.



Secure roof brace **F** with screws (1) for sliding sunroof cassette.



 Arrow indicates forward direction. ◀

Cut headliner (1) as illustrated.


Dimension **a** = 55 mm

Dimension **b** = 290 mm

Dimension **c** = 230 mm

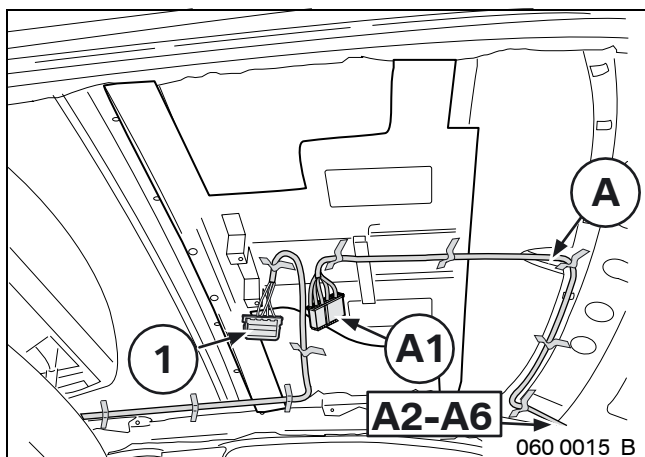
Dimension **d** = 400 mm

Dimension **e** = 440 mm

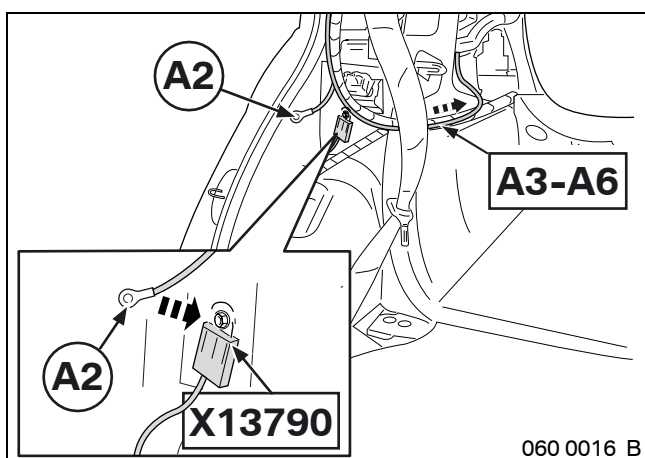
 Cut out hole (2) (Ø 30 mm) only on vehicles with DWA. ◀



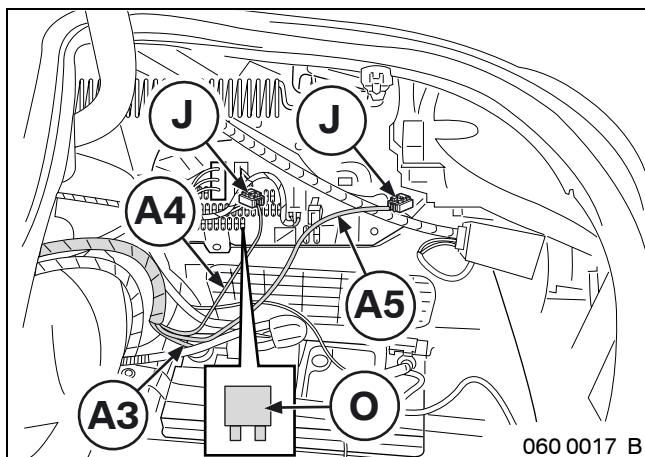
## 6. Installing wiring harness



Secure branch **A1** in roof with insulating tape. Route branch **A2-A6** along the main wiring harness down to the right-hand D-pillar. Use insulating tape to secure the 8-pin white socket housing (1) for the interior lighting in the roof.



Branch **A2** at ground terminal point **X13790**.

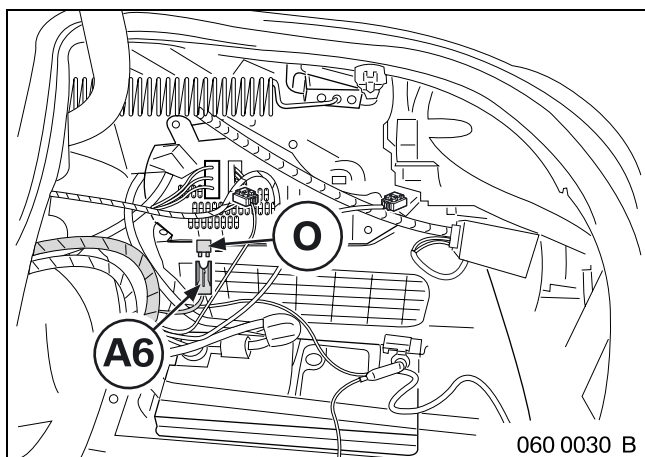


Connect branch **A3** to battery terminal **B+**. Plug branch **A4** into 32-pin black connector **X11012**, **PIN 16** or connect to GN/BL wire with insulation displacement connector **J**.



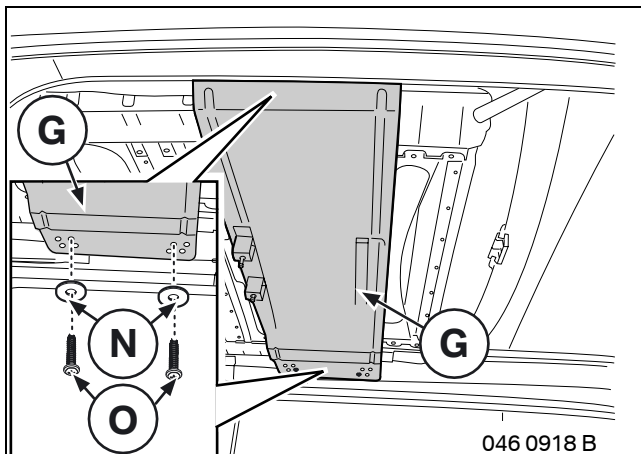
If fuse **F63** is not installed, fit fuse **O**. ◀

Connect branch **A5** to tail light connector **X318**, **PIN 6**, SW/BR wire, with insulation displacement connector **J**.

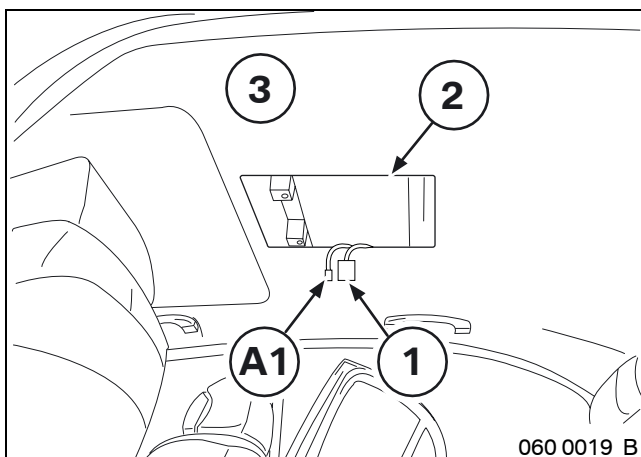


Fit fuse **O** (3A) in branch **A6** and tie back to wiring harness.

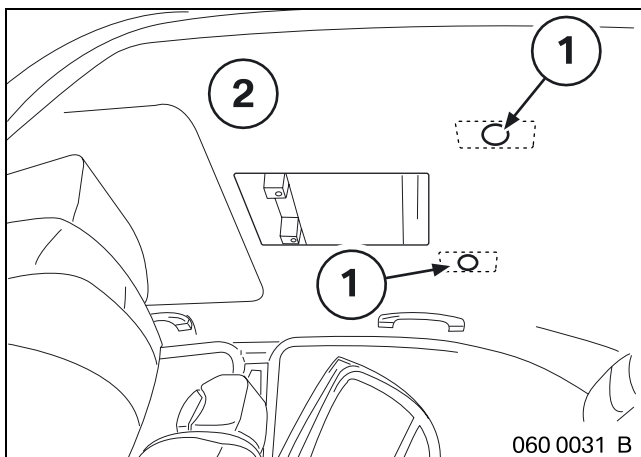
## 7. Installing DVD console



Adhere fleece band **G** to retaining plate (1) of DVD console **D** (cut off excess length).



Pass branch **A1** and interior lighting connector (1) through opening (2) in headlining (3).

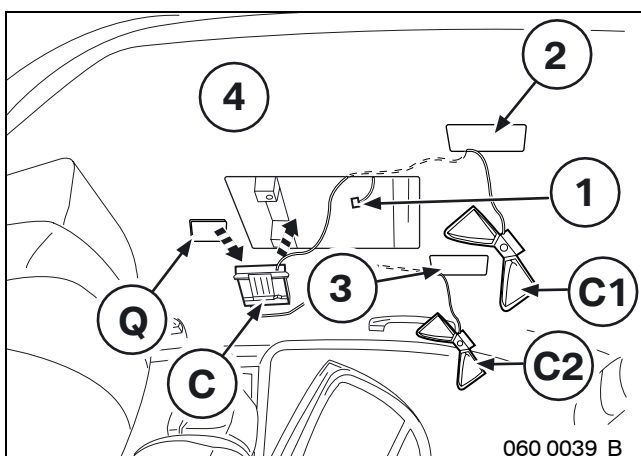


On vehicles with DWA only. ◀

Use knife to cut out apertures (1) in headlining (2) for DWA sensors.



Use the side edges of the installed roof brace as cutting guide (cut accurately). Leave a 10 mm spacing to the cut-out for the installed roof brace at the front and rear edge. Then match the front and rear edge of the headliner to the frame of the anti-theft alarm system **E**.

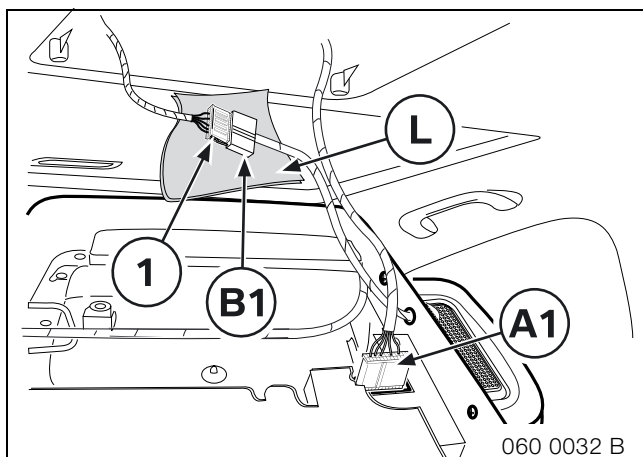


On vehicles with DWA only. ◀

Connect antitheft alarm system (DWA) **C** to connector (1) provided.

Insert sensor **C1** (light grey wire) in left-hand cutout (2) in headliner (4). Insert sensor **C2** (dark grey wire) in right-hand cutout (3) in headliner (4). Adhere double-sided adhesive tape **Q** to DWA **C** on inner side of headliner (4).

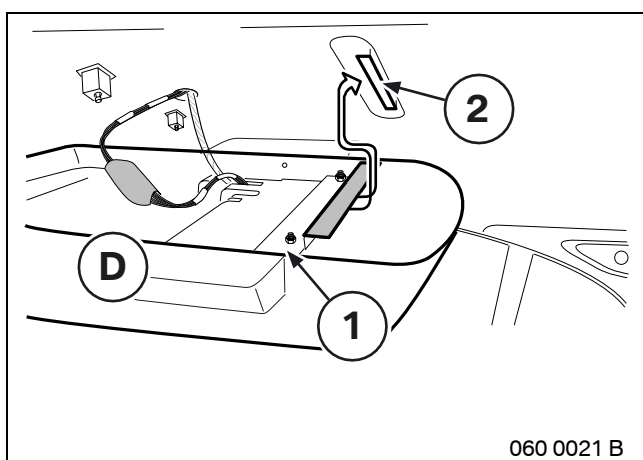
## 7. Installing DVD console



Connect branch **A1** to DVD console **D**.

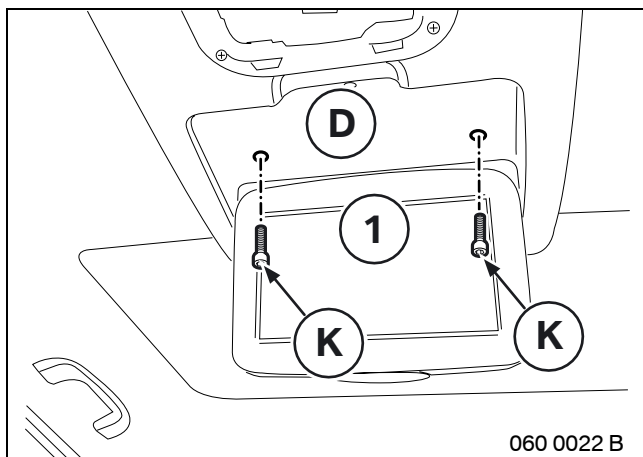
Connect branch **B1** to connector (1) for interior lighting.

Adhere rattle guard **L** to the cables such that the plug connection (1) and **B1** are enclosed.



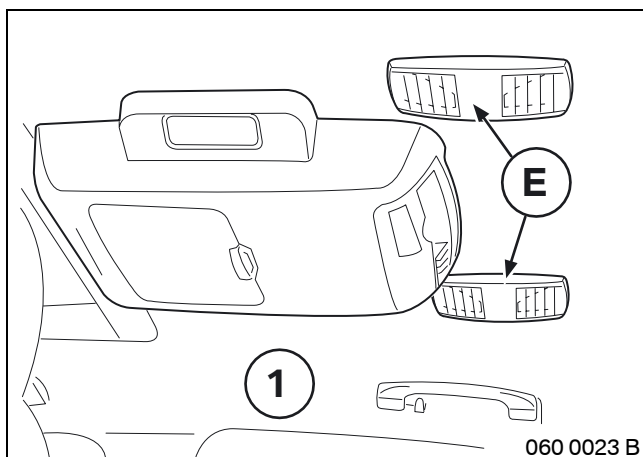
▶ Take particular care when mounting the DVD console to ensure that the connection cables are not trapped or damaged. ◀

Slide the DVD console **D** with retaining plate (1) into the retaining bracket (2) on the roof brace. Bend the retaining plate (1) and/or retaining bracket (2) if the hold between the two elements is not sufficient.



Fold down monitor (1).

Firmly secure DVD console **D** with two screws **K** to the roof brace.



▶ On vehicles with DWA only. ◀

Clip DWA frame **E** with DWA sensors in headliner (1).

## 8. Concluding work and coding

- Reconnect battery
- Check function of DVD system
- Reassemble vehicle in reverse order of removal

This system has no diagnostic capabilities and does not require encoding.



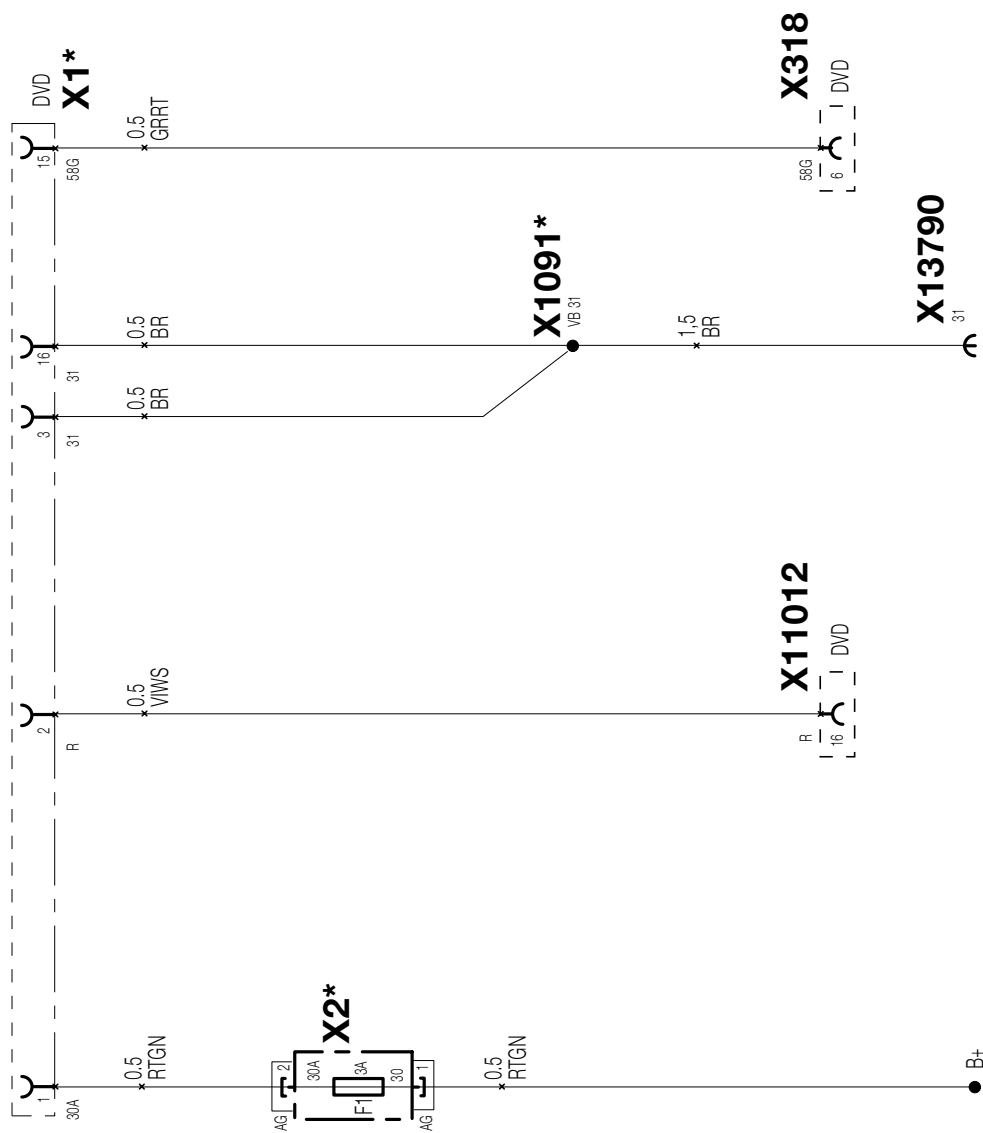
On vehicles with DWA only.

The system is not requiring encoding.

Activate rear compartment DVD via retrofit path. ◀

# 9. Circuit diagram

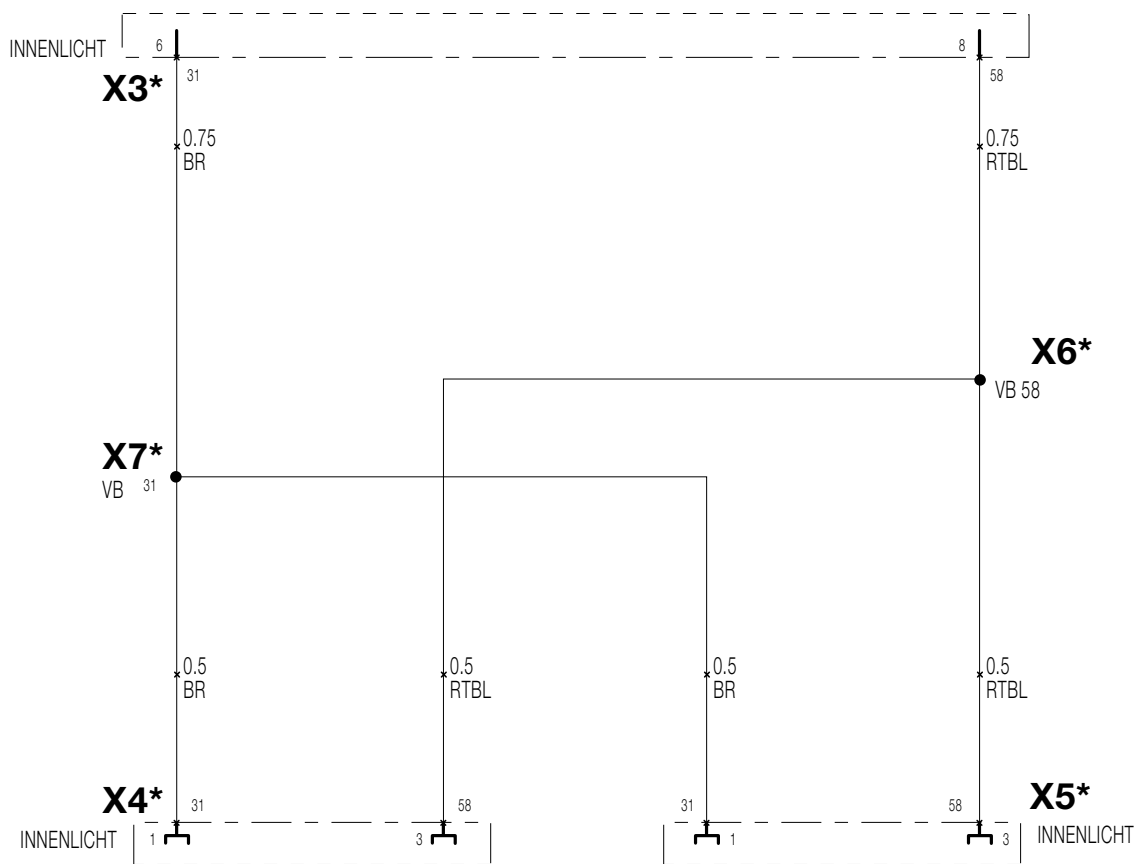
## DVD wiring harness A



060 0024 B

## 9. Circuit diagram

### Adapter wiring harness for auxiliary lights B



060 0033 B

## 9. Circuit diagram

### Legend

#### DVD wiring harness A

<b>B+</b>	Battery terminal +
<b>X1*</b>	Connector DVD system
<b>X1091*</b>	Connector 31
<b>X11012</b>	Fuse holder
<b>X13790</b>	Ground terminal
<b>X2*</b>	Fuse holder
<b>X318</b>	Tail light, right

#### Adapter cable for auxiliary lights B

<b>X3*</b>	Plug connection, interior light
<b>X4*</b>	Connector, auxiliary light
<b>X5*</b>	Connector, auxiliary light
<b>X6*</b>	Connector 58
<b>X7*</b>	Connector 31

The components marked with \* apply to this circuit diagram only.  
All other components and X-designations correspond to the BMW service circuit diagrams.

#### Cable colours

<b>BL</b>	Blue	<b>SW</b>	Black
<b>BR</b>	Brown	<b>VI</b>	Violet
<b>GE</b>	Yellow	<b>WS</b>	White
<b>GN</b>	Green		
<b>GR</b>	Grey		
<b>RT</b>	Red		